

LC SIMPLEX PC SINGLEMODE OPTICAL PLUG
 FOR Ø2.0 MM ULTRA TIGHT CABLE

 Packaging
 1

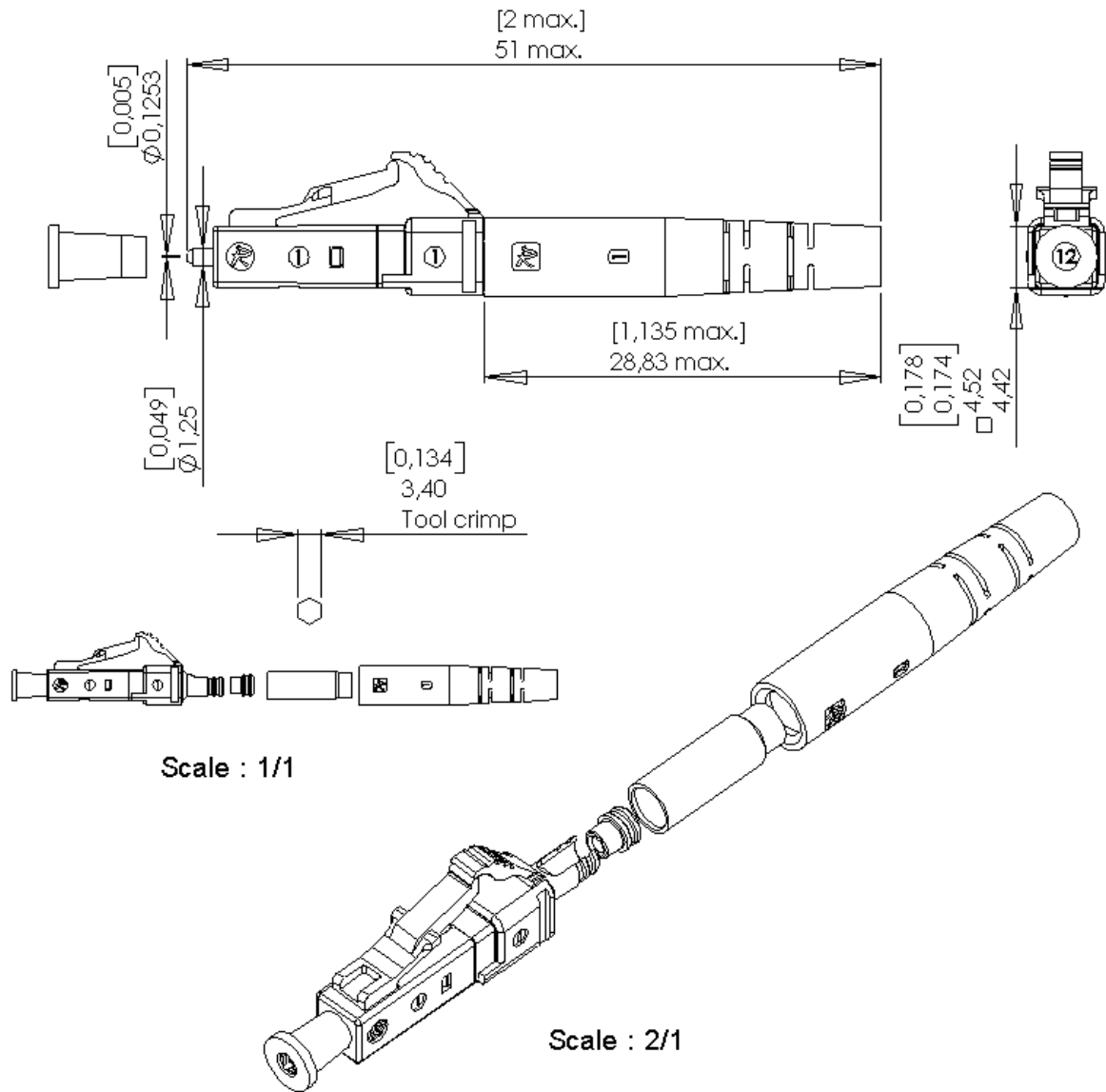
 Series
 LC

 Issue
 14 jan 05

 Page
 1 / 2

Outer plug body : color BLUE

Monobloc



Original dimensions in mm [inch]

LC SIMPLEX PC SINGLEMODE OPTICAL PLUG
FOR Ø2.0 MM ULTRA TIGHT CABLE

Packaging
1

Series
LC

Issue
14 jan 05

Page
2 / 2

Outer plug body : color BLUE

Monobloc

GENERAL

- ❑ **TYPE** IEC 61754-20 (LC)
Singlemode Zirconia Ø 1.25 mm ferrule
RJ -45 latching connector system
- ❑ **FERRULE SIZE** 125.3 µm
- ❑ **FIBER SIZE** 9/125µm singlemode
- ❑ **CABLE SIZE & TYPE** Ø1.7 - 2.2 mm Ultra Tight (buffer/jacket structure)
ABS0963-003LF
- ❑ **CABLING PROCEDURE** Refer to 503 08 610 assembly instruction manual

CHARACTERISTICS (Depending on fibre or cable construction)

- ❑ **OPTICAL** Attenuation at 1300 nm and 1550 nm
Attenuation plug mated with reference plug : IEC 61300-3-4 Method B

| PARAMETER | STD |
|--------------------|----------|
| Mean | ≤0.10 dB |
| Standard deviation | ≤0.05 dB |

Return-Loss Maximum loss variation : IEC 61300-3-6

| | RL |
|-----|---------|
| PC | > 35 dB |
| SPC | > 40 dB |
| UPC | > 50 dB |

- ❑ **MECHANICAL** Vibration test 50 to 2000 Hz, 0.2g²/Hz, 16.4 grms, 8 Hr/axis
Impact test 1,5 m drop , 8 cycles
Mechanical Endurance 200 matings
Cable retention 68 N
- ❑ **ENVIRONMENTAL** Temperature range (storage/operating) -40°C to +85°C / -28°C to +65°C M85045/16 NAVY
Temperature range (storage/operating) -55°C to +125°C / -55°C to +125°C NEXANS 132664
Humidity/Condensation cycling test 95% RH, -10°C to +65°C, 14 cycles, 168 Hr

Other cable available please take contact with us for more details.
(Performance and specification : see document GEN – F727 001)